

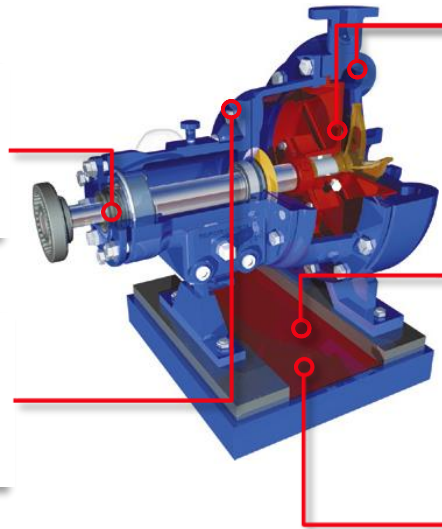
# Oil & Gas Industry

## Rotating equipment: Pumps

Rebuild worn shafts  
with **LOCTITE EA 3478  
Superior Metal**



Protect pump outside surface  
against chemical attack  
with **LOCTITE PC 7255  
Sprayable Ceramic**



Rebuild and protect worn pump  
housings and impeller with  
**LOCTITE Surface Coatings** and  
provide a chemical resistant coat



Build pump base with **LOCTITE  
PC 7204 High Performance  
Quartz** and provide a chemical  
resistant foundation with superior  
mechanical resistance



Repair any kind of cracks,  
spelling or chipping of pump  
foundation with **LOCTITE PC  
7257 Magna Crete**